



MILITARY



MULTI-FUNCTION DISPLAY

A4RV SERIES

15" A4RV 6715XG



**Real Time Analog Video
Smart Display
with Overlay Capabilities**

15"

Key Features

- > Analog Video PIP
- > Overlay drawing
- > Real Time Sight
- > Low latency video
- > 1 level of overlay
- > Full MIL specs qualified
- > Optional front buttons
- > Optional USB front connector
- > Compact size
- > RoHS compliant

IRTS A4RV 6715XG an analog video Multi-Function Display combines the functionality of an A4R Panel PC with a powerful hardware real-time video processing with overlay capabilities.

Designed for low-latency display of optoelectronic video, these MFDs are particularly suitable for use in firing systems, with low contribution in the feedback firing loop.

A4RV features the functionality of an A4R Panel PC with:

- > 4 analog backup video inputs PAL/NTSC with optimized de-interlacing algorithms
- > 1 level of overlay with graphic co-processing for real-time display of graphic objects (for augmented reality) managed by A4R CPU

A4RV series allows to select 3 XGA screen sizes (10", 12", 15") equipped or not with a rugged analog-resistive "glass to glass" touchscreen and optional, lighted or not, front function buttons.

A4RV MFDs represent the high-end models of our A4R Panel PC range which meet the operational needs of modern Armed Forces (shooting reticule, BMS, infrared video display, target tracking, real-time sight) and cope with the roughest environments

For others screen sizes or resolutions, please ask us.


PRODUCT SPECIFICATIONS

Display Module	
Size	15"
Resolution	1024 x 768 (XGA)
Brightness	700 Cd/m ² (LED Technology)
Dot pitch	0.297 (H) x 0.297 (V) mm
Viewing angles	85-85(H) / 85-85(V)
Response Time	24 ms (Tr+Tf) White to Black
Contrast Ratio	1000 : 1
Color resolution	16.7 M
Dimming ratio	up to 10 Cd/m ²
Touch screen characteristics	Resistive 5-wire Glass to Glass technology
Controls	
Remote control	Backlight, blackout and On/Off control in front
Integrated computer	
Microprocessor	Intel® Atom™ E3845, 4x1.91GHz
Memory	4Gb DDR3L SO-DIMM
Graphic controller	Intel® HD Graphics (Gen7)
Serial Ports	1 x Serial multiprotocol V11/V24 Soft. Conf.
Digital I/O	3 x opto-isolated (3 x Input)
USB 2.0	2 x USB2.0 (1 x in front)
Ethernet	1 x 10/100/1000Mbits, Intel® I210IT
Disk	SSD 16Go SATA
Can bus	1 x 2.0B (Data rate up to 1Mb/s)
Video input/Overlay	
Input : 1 video from	1 x VGA input
	4 x CVBS inputs (PAL) or STANAG 3350 B or C (monochrome)
Overlay	1 configurable transparent colour for the overlay
	Video is visible only on the surfaces where the computer is displaying the transparent colour Total reponse time on video : 40 ms
Video output	
Image capture	On CAN trigger or Software request
Video output	1 x VGA output
Software	
Operating system	Linux Xubuntu, ElinOS, Windows
BITE	Unit Management Software and UTV Management
Electrical Features	
Power supply	Power 18/36V DC with galvanic isolation - 1275D compatible
Power consumption	50W without heating device
	80W with heating device
Physical Features	
Dimensions	375 x 310 x 88 mm
Weight	7 Kg
Mechanical standard	200 x 200 - 4 x M8
Packaging / Painting / Color	Aluminium / NORMEDEF 00001/ BLACK
Connectors	
Position	UP and LEFT
Type	Type MIL-DTL-38999 III (Black Zinc Nickel) sizes 11 & 13
Front USB Connector	1 x Fischer DBPLU (core) serie 102 on front panel
Connector Caps	Standard on front, optional on the others connectors
Warranty	
Two-year limited warranty (parts and labor)	
Additional coverage and customized service plans available on request	



IRTS

639 Boulevard des Armaris ■ 83100 Toulon ■ France

Tel.: +33 (0)4 94 20 78 00 ■ Fax : +33 (0)4 94 20 78 01

IRTS NATO CODE : FAAJ7

Contact : sales@irts.fr ■ www.irts.fr

RUGGED ELECTRONICS, COMPUTERS & DISPLAYS

RANGE OF DISPLAYS

A4RV offers a range of panel PCs whose 3 monitor's screen 10", 12" and 15".

A4RV LCD DISPLAYS ANALOG VERSION	10"4	12"	15"
	XGA		XGA
A4RV Series	A4RV10 XG	A4RV12 XG	A4RV15 XG
Screen Ratio	4/3		4/3
Resolution	1024 x 768		1024 x 768
A4RV Standard Luminance cd/m ²	600	700	700
Viewing Angles	85°/85°-85°/85° IPS™	85°/85°-85°/85° IPS™	85°/85°-85°/85° IPS™
A4RV Outdoor Luminance cd/m ² (option)	700	900	1000
Viewing Angles	80°/80°- 80°/80°	80°/80°- 80°/80°	80°/80°- 60°/80°
Sunlight readability (option)	IRTS bonding technology (applicable to standard & outdoor versions)		IRTS bonding technology (applicable to standard & outdoor versions)

FRONT BUTTONS OPTIONS AND PRODUCT MOUNTING

Front buttons can be proposed as option. Contact us.
Standard rear mounting is assured by 4 x M8 screws.
Front attachment is made on specific request with Minimum Quantity Order.
It offers 4 x M5 screws for front mounting.



COLOR PRODUCT

Standard color is black (GAM C Black 36X3).
Other colors can be proposed on request with Minimum Order Quantity.



IRTS
639 Boulevard des Armaris ■ 83100 Toulon ■ France
Tel.: +33 (0)4 94 20 78 00 ■ Fax : +33 (0)4 94 20 78 01
IRTS NATO CODE : FAAJ7
Contact : sales@irts.fr ■ www.irts.fr

RUGGED ELECTRONICS, COMPUTERS & DISPLAYS

ENVIRONMENTAL CONDITIONS

Airborne

Random Vibrations	RTCA DO-160E Section 8 Cat.R Zone 2, Cat.U2, up to 5.95g RMS
Sinus Vibrations	RTCA DO-160E Section 8 Cat.R Zone 2 Curve L, up to 3g
Shocks	RTCA DO-160E Section 7 Cat. B, 30g 11ms half sine
Emission	RTCA DO-160E Section 21.3 & 21.4 Cat.M
Susceptibility	RTCA DO-160E Section 18 Cat. Z & Section 19 Cat. ZN, RTCA DO-160E Section 20 CS & RS Cat. Y
Humidity	RTCA DO-160E Section 6 Cat. A, T = +55°C, HR = 5 to 95%
Operating temperature	RTCA DO-160E Section 4.5.2 & 4.5.4 Cat. B1, -20°C / +55°C
Waterproofness	IP 68, immersion 1 meter

Army

Random Vibrations	MIL-STD-810G Method 514.6, up to 5,93g RMS (Tracked vehicle)
Bumps	DEF-STAN 0035 TEST M12, 40gx6ms - 1000 shocks/axe
Shocks	STANAG 4370 AECTP400: Method 403, 44gx13ms half sine
Emission	MIL-STD-461E Army ground equipment CE102, RE102
Susceptibility	MIL-STD-461E Army Equipment CS101, CS114, CS115, CS116, RS103
Humidity	MIL-STD-810F Method 507.4 T = +60°C, HR = 5 to 95%
Operating temperature	MIL-STD-810F Method 501.4 & 502.4 Procedure II, -32°C / +60°C
Waterproofness	IP 68, immersion 1 meter

Navy

Random Vibrations	MIL-STD-810G Method 514.6 Cat. 21 Method 528, up to 5.8g RMS
Sinus Vibrations	MIL-STD 167 Type 1, up to 1.28g
Schoks	DEF-STAN 0035 Part3, 30g 11msec half sine
Emission	MIL-STD-461E Naval equipment CE102, RE102
Susceptibility	MIL-STD-461E Naval equipment CS101, CS114, CS115, CS116, RS103
Humidity	MIL-STD-810F Method 507.4 T = +60°C, HR = 5 to 95%
Operating temperature	MIL-STD-810F Method 501.4 & 502.4 Procedure II, -32°C / +60°C
Waterproofness	IP 68, immersion 1 meter



IRTS

639 Boulevard des Armaris ■ 83100 Toulon ■ France

Tel.: +33 (0)4 94 20 78 00 ■ Fax : +33 (0)4 94 20 78 01

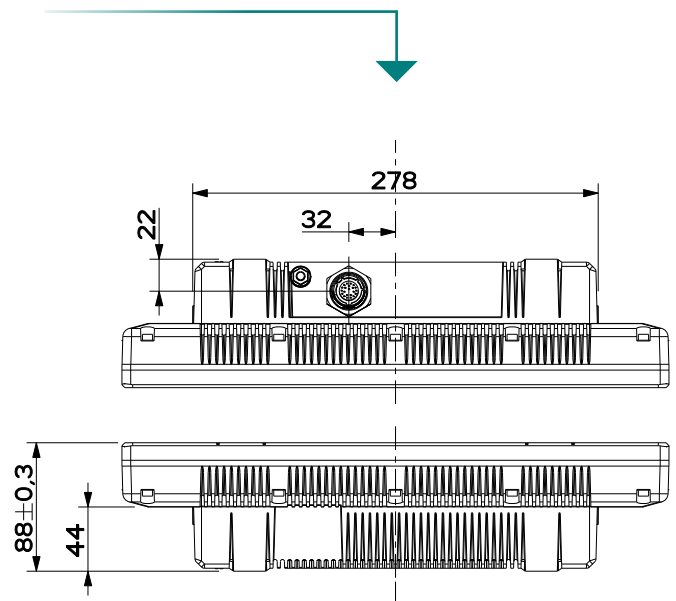
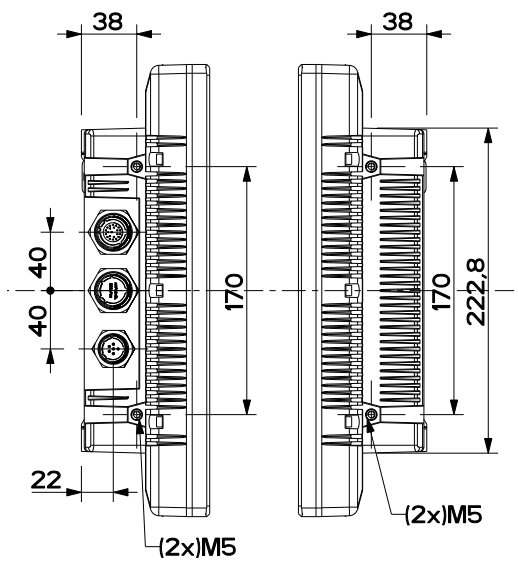
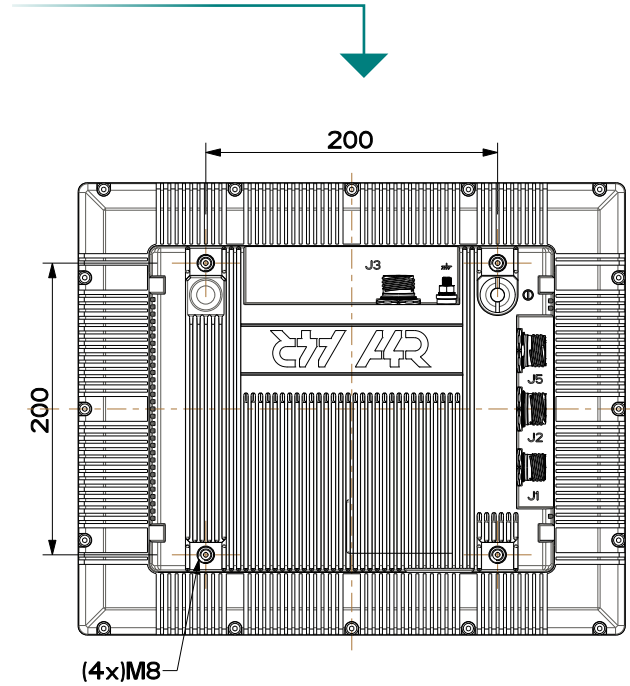
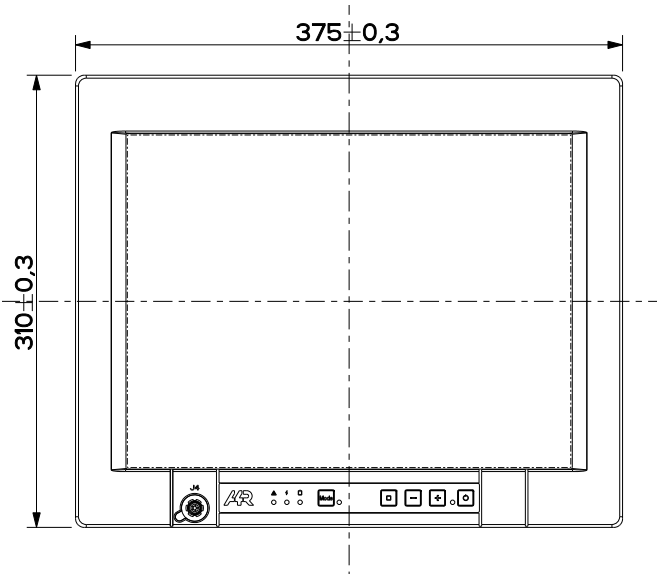
IRTS NATO CODE : FAAJ7

Contact : sales@irts.fr ■ www.irts.fr

RUGGED ELECTRONICS, COMPUTERS & DISPLAYS

TECHNICAL LAYOUT

Dimensions are in millimeters (mm).



IRTS

639 Boulevard des Armaris ■ 83100 Toulon ■ France

Tel.: +33 (0)4 94 20 78 00 ■ Fax : +33 (0)4 94 20 78 01

IRTS NATO CODE : FAAJ7

Contact : sales@irts.fr ■ www.irts.fr

RUGGED ELECTRONICS, COMPUTERS & DISPLAYS