



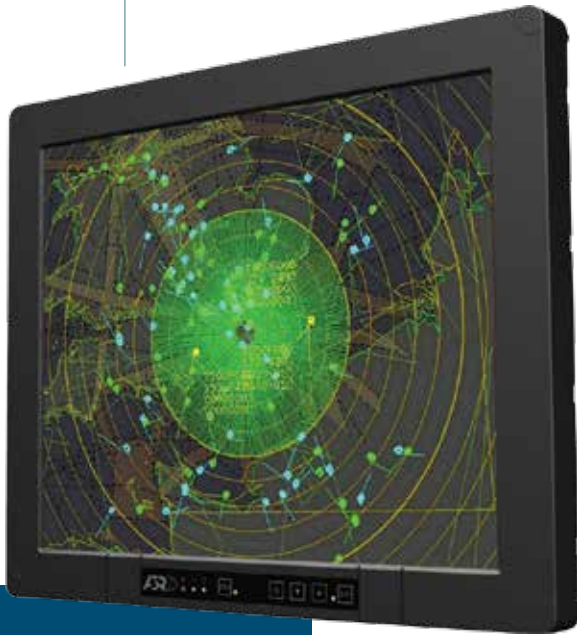
AIRBORNE



RUGGED DISPLAY

A3RD SERIES

19" A3RD 5819 SX



Key Features

- > IP68/NEMA 6P waterproof
- > RTCA DO-160 qualified
- > NVIS capability
- > Flexible positioning of the connectors
- > Optional USB front connector from computer via back connector
- > ROHS compliant

IRTS 5819SX is a rugged IP 68 / NEMA 6P 19" display of the A3RD Family, a comprehensive range of MIL specs compliant displays. Its specific design, advanced processing, graphic display and video capabilities meet the evolving and operational needs of modern Armed Forces and cope with the toughest environments.

A3RD Technology is based on mechanical and electronic common architecture, which enables modular and flexible configurations.

It allows selecting 6 screen sizes (17", 19", 20", 21"W, 24" and 24"W), brightness and processors performance as well as full Mil specs ruggedization: Level I up to 3 G RMS, Level II up to 6 G RMS, and custom Level II up to 8 G RMS according to specific requirements.

A3RD series is a full line of MIL standards displays that have been qualified as SK1 & SK2 configurations. Its direct interface with client hardware and software - control, command and sensor systems -open-ended electronic architecture and easy mounting make it the choice of prime weapon system integrators. Reliable, configurable and upgradeable, it is considered as the best cost and lead time MOTS (Military Off The Shelf) equipment in operational use today.

See also the other displays in the A3RD series specifically designed for your Army, Industry or Navy applications.

PRODUCT SPECIFICATIONS

Display Module	
Size	19"
Resolution	1280 x 1024 (SXGA)
Brightness	300 Cd/m ²
Pixel pitch	0.264 (H) x 0.264 (V) mm
Viewing angles	85°-85° (H) / 80°-80° (V)
Response Time	10 ms (Tr+Tf) White to Black
Contrast Ratio	1000 : 1
Display Color	16.7 M (Dithering)
Backlight	LED Technology
Dimming ratio	up to 10 Cd/m ²
Controls	
Remote control	Backlight, blackout and On/Off control in front
Integrated Video Controller	
Graphic controller	IRTS Embedded Video Controller
Analog Video	1 x input VGA
Digital Video	1 x input DVI
Serial Ports (RS232/RS422)	1 x Serial touch controller / 1x Serial for remote control
USB 2.0	1 x Touch controller / Remote control
BITE	Unit Management software
Electrical Features	
Power supply DC	Power 18/36 VDC with galvanic isolation
PLD-DC	Power Line Disturbance optional module for Power 18/36 VDC
Power supply AC	Power 90-264 VAC with galvanic isolation
Power consumption	50 W normal environment cond. 80 W max in cold environment
Physical Features	
Dimensions	448.5 x 373 x 80.7 mm
Weight	10.5 Kg
Mechanical fixing	430,5 x 355
Packaging / color	Aluminum / GAM C BLACK 36X3 (Other colors available)
Connectors Type & Position	
Connectors position / orientation	DOWN / HORIZONTAL (Other configurations available - see below)
Connectors type	MIL-DTL-38999 III (Black Zinc Nickel) size 11 & 13
Options	
Composite Video	1 x Coaxial composite PAL/NTSC (BNC)
Front USB Connector	1 x Fischer serie 102 for connection transfer from CPU (key board, pointing devices, etc.)
Optical bonding	LCD panel bonding
Touch screen	Resistive or Capacitive multitouch
Connecteur Caps	Standard on front, optional on the others connectors
Fastening	See configator below
Warranty	
Two-year limited warranty (parts and labor).	
Additional coverage and customized service plans available on request.	

CONFIGURATOR FOR FINAL PRODUCT

Various combinations are available according to fastening and to orientation and positioning of connectors.

Commercial reference	5819SX
Fastening	F (Front) R (Rear)			
Orientation of connectors	H (Horizontal) V (Vertical)			
Position of connectors	U (Up) D (Down)			



IRTS

639 Boulevard des Armaris ■ 83100 Toulon ■ France

Tel.: +33 (0)4 94 20 78 00 ■ Fax : +33 (0)4 94 20 78 01

IRTS NATO CODE : FAAJ7

Contact : sales@irts.fr ■ www.irts.fr

RUGGED ELECTRONICS, COMPUTERS & DISPLAYS

RANGE OF DISPLAYS

A3RD offers a wide range of displays whose 6 monitor's screen sizes and 2 brightness levels will meet your needs for your indoor and outdoor applications. (Contact us for more information).



A3RD LCD DISPLAYS	17"	19"	20"	24" W	21"5 W	24" W
	SXGA	SXGA	UXGA	WUXGA	Full HD	
A3RD Series	A3RD17 SX	A3RD19 SX	A3RD20 UX	A3RD24 WU	A3RD21 HD	A3RD24 HD
Screen Ratio	5/4	5/4	4/3	16/10	16/9	
Resolution	1280 x 1024	1280 x 1024	1600 x 1200	1920 X 1200	1920 x 1080	
A3RD Standard Luminance cd/m ²	300	300	250	300	250	250
Viewing Angles	80°/80°/60°/80°	85°/85°/80°/80°	85°/85°/85°/85°	89°/89°/89°/89°	89°/89°/89°/89°	89°/89°/89°/89°
A3RD Outdoor Luminance cd/m ² (option)	800	800	550	On customer request		
Viewing Angles	80°/80°/60°/80°	85°/85°/80°/80°	85°/85°/85°/85°			
Sunlight readability (option)	IRTS bonding technology (applicable to standard & outdoor versions)		IRTS bonding technology (applicable to standard & outdoor versions)		IRTS bonding technology (applicable to standard & outdoor versions)	

PRODUCT RANGE & ENVIRONMENTAL CONDITIONS

Depending on the application, our range offers products that will comply with your size, ruggedization and environmental conditions requirements.

A3RD for Airborne			A3RD Range	
Display Size		A3RD Series	SKU 1	SKU 2
			Rugged Model	Ultra Rugged Model
17"	17" SXGA (1280 x 1024)	A3RD17 SX	5817 SX SK1	5817 SX SK2
19"	19" SXGA (1280 x 1024)	A3RD19 SX	5819 SX SK1	5819 SX SK2
20"	20" UXGA (1600 x 1200)	A3RD20 UX	5820 UX SK1	On customer request
21"	21"5 FHD (1920 x 1080)	A3RD21 HD	5821 HD SK1	
24"	24" FHD (1920 x 1080)	A3RD24 HD	5824 HD SK1	
	24" WUXGA (1920 x 1200)	A3RD24 WU	5824 WU SK1	
Power Supply Characteristics			18-36 VDC AIR 2021E & RTCA DO160	
DC Power Supply			85/265 VAC 50-400 Hz AIR 2021E & RTCA DO160	
AC Power Supply			Operating Environmental Conditions	
2 Ruggedization Levels			Level I	
Temperature range			Level II	
Operating			-15°C to +55°C	
Storage			-20°C to +55°C	
Humidity			-32°C to +70°C	
Humidity			T= +40°C, HR = 5 to 95%	
Operating pression			T= +55°C, HR = 5 to 95%	
Altitude			Level I	
Decompression			Level II	
Decompression			50,000 ft	
Decompression			50,000 ft	
Decompression			8,000 ft to 50,000 ft in 15 secondes	
Decompression			8,000 ft to 50,000 ft in 15 secondes	
Mechanical DO-160E			Level I	
Random vibrations			Level II	
Sinus vibrations			up to 2.2g RMS	
Shocks/Operating			up to 5.95g RMS	
Shocks/Crash			up to 1.5g	
Shocks/Operating			up to 3g	
Shocks/Crash			6g 11msec DSPF	
Shocks/Crash			15g 11msec DSPF	
Shocks/Crash			20g 11msec half sine	
Shocks/Crash			30g 11msec half sine	
EMC/EMI			Level I	
RTCA DO-160E			Level II	
RTCA DO-160E			Categories B (sect 16), R (sect 20), L (sect 21)	
RTCA DO-160E			Categories A (sect 16), Y (sect 20), M (sect 21)	



IRTS

639 Boulevard des Armaris ■ 83100 Toulon ■ France

Tel.: +33 (0)4 94 20 78 00 ■ Fax : +33 (0)4 94 20 78 01

IRTS NATO CODE : FAAJ7

Contact : sales@irts.fr ■ www.irts.fr

RUGGED ELECTRONICS, COMPUTERS & DISPLAYS

ENVIRONMENTAL CONDITIONS

The table below shows our benchmark for environmental standards.

Qualification Standards			
A3RD	Fixed Wings		Rotary Wings
	SK1	SK2	SK2
Random vibrations	RTCA DO-160E Section 8 Cat.R Zone 2		RTCA DO-160E Section 8 Cat.U2
	Curve B4	Curve C1	STANAG 4370 Method 401 Figure D-2 (except sinus lines)
Sinus vibrations	RTCA DO-160E Section 8 Cat.R Zone 2		
	Curve M	Curve L	
Shocks	RTCA DO-160E Section 7 category B		
DC Power Input	RTCA DO-160E Section 16		
	Cat. B	Cat. A	Cat. A
Emission	RTCA DO-160E Section 21.3 & 21.4		
	Cat. L	Cat. M	Cat. M
Susceptibility	RTCA DO-160E Section 18, Cat. Z & Section 19 Cat. ZN		
	RTCA DO-160E Section 20		
	CS Cat. W & RS Cat. R	CS & RS Cat. Y	CS & RS Cat. Y
Operating temperature	RTCA DO-160D Section 4.5.2 & 4.5.4		
	Cat. A1	Cat. B1	Cat. B1
Humidity	RTCA DO-160E: Section 6 HR = 5 to 95%		
	Cat. A - T=40°C	Cat. C - T=55°C	Cat. C - T=55°C
Altitude	RTCA DO-160E Section 4.6.1 Cat. D1		
Decompression	RTCA DO-160E Section 4.6.2		
Waterproofness	IP 68 / NEMA 6P, immersion 1 meter		

PRODUCT MOUNTING

Basically, the back side of the A3R packaging offers threaded holes for four M8-screws, that can be operable or not. Note that this mounting is invariant whatever the size of display. Customer has to choose between front or rear mounting.

STANDARD FRONT MOUNTING

Standard front mounting is realized by fastening of 4 x M8-captive screws positioned at each front corner of the product, finished with trim screws (example for 5821SX-FHD).



FRONT MOUNTING

OPTIONNAL REAR MOUNTING

Optionnal rear mounting can be realized by using the 4 threaded holes for M8-screws positioned at each rear corner of the product (example for 5821SX-RHD).



REAR MOUNTING



IRTS

639 Boulevard des Armaris ■ 83100 Toulon ■ France

Tel.: +33 (0)4 94 20 78 00 ■ Fax : +33 (0)4 94 20 78 01

IRTS NATO CODE : FAAJ7

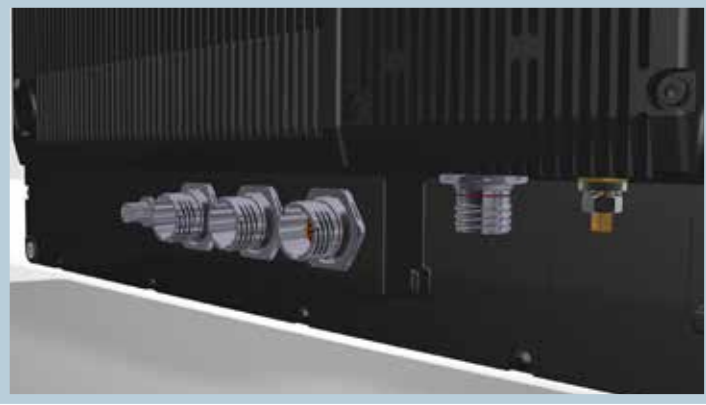
Contact : sales@irts.fr ■ www.irts.fr

RUGGED ELECTRONICS, COMPUTERS & DISPLAYS

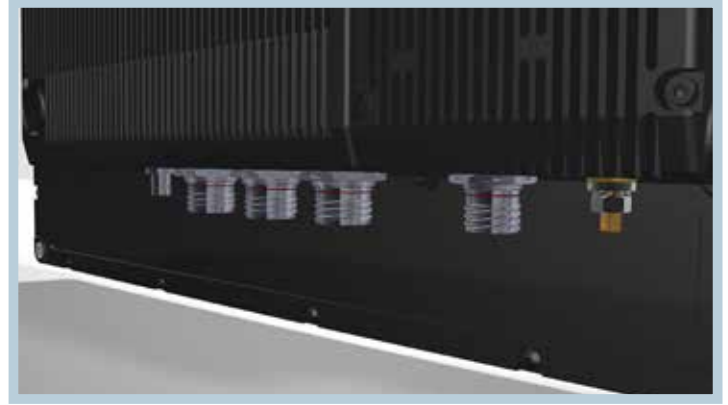
CONNECTORS POSITIONS AND ORIENTATIONS

DOWN POSITIONING

Standard orientation : Horizontal
(5817SX-RHD or 5817SX-FHD)



Optional orientation : Vertical (with Minimum Order Quantity)
(5817SX-RVD or 5817SX-FVD)

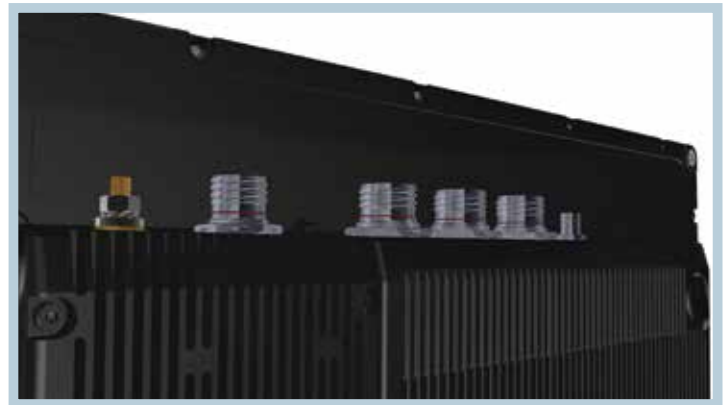


UP POSITIONING

Standard orientation : Horizontal
(5817SX-RHU or 5817SX-FHU)



Optional orientation : Vertical (with Minimum Order Quantity)
(5817SX-RVU or 5817SX-FVU)



COLOR PRODUCT

Standard color is black (GAM C Black 36X3).
Other colors can be proposed on request with Minimum Order Quantity.



IRTS

639 Boulevard des Armaris ■ 83100 Toulon ■ France

Tel.: +33 (0)4 94 20 78 00 ■ Fax : +33 (0)4 94 20 78 01

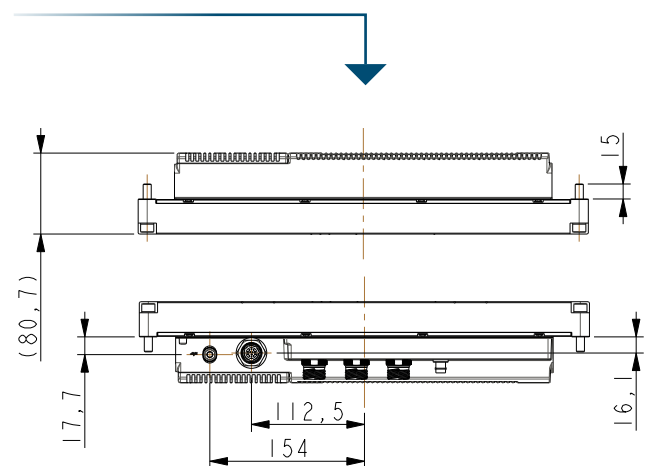
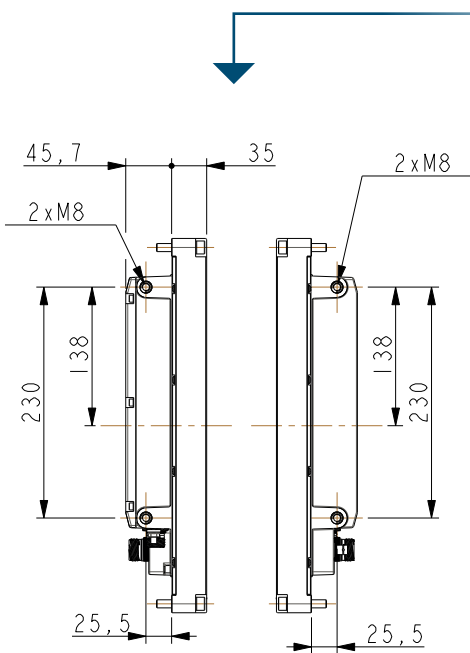
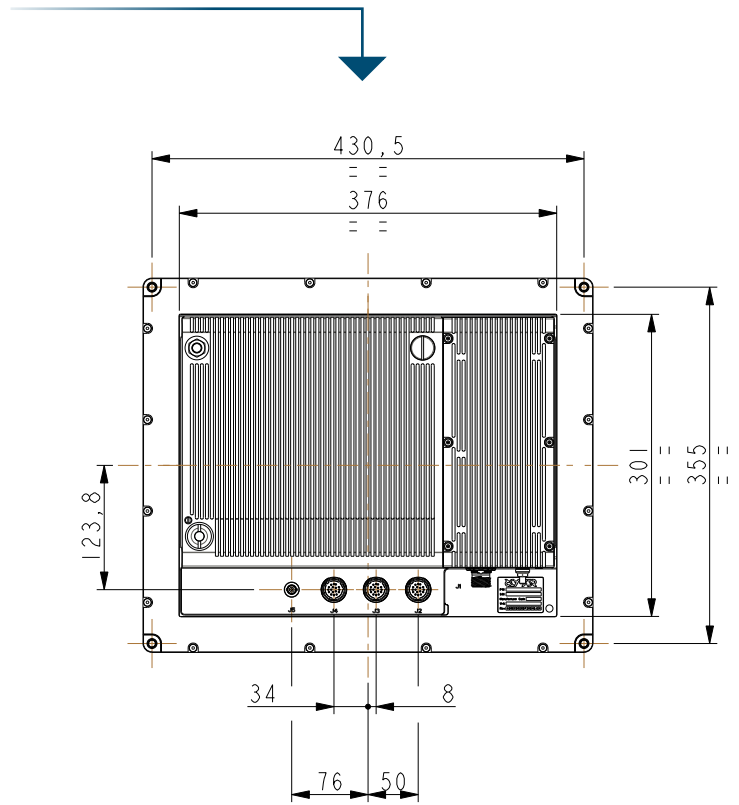
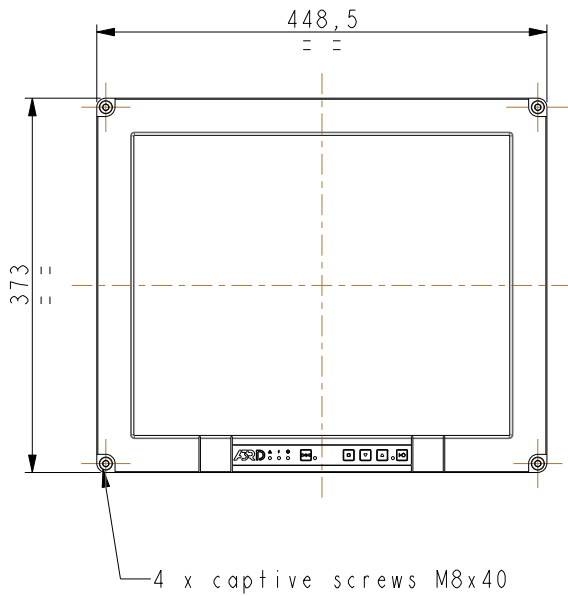
IRTS NATO CODE : FAAJ7

Contact : sales@irts.fr ■ www.irts.fr

RUGGED ELECTRONICS, COMPUTERS & DISPLAYS

TECHNICAL LAYOUT

Dimensions are in millimeters (mm).



IRTS
639 Boulevard des Armaris ■ 83100 Toulon ■ France
Tel.: +33 (0)4 94 20 78 00 ■ Fax : +33 (0)4 94 20 78 01
IRTS NATO CODE : FAAJ7
Contact : sales@irts.fr ■ www.irts.fr

RUGGED ELECTRONICS, COMPUTERS & DISPLAYS