



AIRBORNE



RUGGED DISPLAY

A4RD SERIES

17"3 A4RD 5717 HD



17"3

Key Features

- > IP68/NEMA 6P waterproof
- > RTCA DO-160 qualified
- > Rugged touch screen (glass to glass technology)
- > Optional 12/16 programmable function buttons
- > NVIS capability
- > Flexible positioning of the connectors
- > Optional USB front connector from computer via back connector
- > ROHS compliant

IRTS 5717HD is a rugged wide 17" display of the A4RD Family, a comprehensive range of displays. Its specific design, advanced processing, graphic display and video capabilities meet the evolving and operational needs of modern Armed Forces and cope with the toughest environments.

A4RD Technology is based on mechanical and electronic common architecture, which enables modular and flexible configurations. It allows selecting 6 screen sizes (10", 12", 12"W, 15", 15"W & 17"W), brightness level as well as full Mil specs ruggedization: Level I up to 3 G RMS, Level II up to 6 G RMS, and custom Level II up to 8 G RMS according to specific requirements.

A4RD series is a full line of MIL standards displays that have been qualified as SK1 & SK2 configurations. Its direct interface with client hardware and software - control, command and sensor systems - open-ended electronic architecture and easy mounting make it the choice of prime weapon system integrators. Reliable, configurable and upgradeable, it is considered as the best cost and lead time MOTS (Military Off The Shelf) equipment in operational use today.

See also the other displays in the A4RD series specifically designed for your Army, Industry or Navy applications.

www.irts.fr

RUGGED ELECTRONICS, COMPUTERS & DISPLAYS



PRODUCT SPECIFICATIONS

Display Module	
Size	17.3"
Resolution	1920 x 1080 (Full HD)
Brightness	300 Cd/m ² (LED Technology)
Pixel pitch	0.1989 (H) x 0.1989 (V) mm
Viewing angles	85-85 (H) / 85-85 (V)
Response Time	24 ms (Tr+Tf) White to Black
Contrast Ratio	1000:1
Display Color	16.7 M
Dimming ratio	up to 10 Cd/m ²
Touch screen characteristics	Resistive 5-wire Glass to Glass technology
Controls	
Remote control	Backlight, blackout and On/Off control in front
Additional control capability	3 x free programmable function keys
Option	Additional front control buttons
	8 x 2 programmable function buttons
Integrated Video Controller	
Graphic controller	IRTS Embedded Video Controller
Analog Video	1 x input VGA
Digital Video	1 x input DVI
Serial Ports (RS232/RS422)	1 x Serial touch controller / 1x Serial for remote control
USB 2.0	1 x Touch controller / 1 x Remote control
BITE	Unit Management Software
Electrical Features	
Power supply	Power 18/36 VDC with galvanic isolation
PLD	Power Line Disturbance optional module
Power consumption	50 W normal environment cond. 80 W max in cold environment
Physical Features	
Dimensions	460 x 300 x 88 mm
Weight	8.2 Kg
Mechanical fixing	200 x 200 - 4 x M8
Packaging / color	Aluminum / GAM C BLACK 36X3 (Other colors available)
Connectors Types & Position	
Connectors position	UP in standard, DOWN in option
Connectors type	MIL-DTL-38999 III (Black Zinc Nickel) sizes 11 & 13
Options	
Composite Video	1 x Coaxial composite PAL/NTSC (BNC)
Optical bonding	Bonding LCD Panel
Front USB Connector	1 x Fischer serie 102 for connection transfer from CPU (key board, pointing devices, etc.)
Connecteur Caps	Standard on front, optional on the others connectors
Warranty	
Two-year limited warranty (parts and labor), factory return under RMA procedure.	
Additional 2-year coverage and customized service plans available on request.	



IRTS

639 Boulevard des Armaris ■ 83100 Toulon ■ France

Tel.: +33 (0)4 94 20 78 00 ■ Fax : +33 (0)4 94 20 78 01

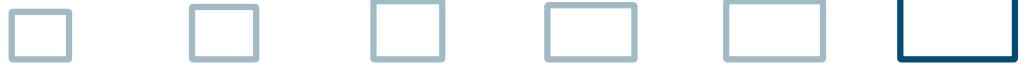
IRTS NATO CODE : FAAJ7

Contact : sales@irts.fr ■ www.irts.fr

RUGGED ELECTRONICS, COMPUTERS & DISPLAYS

RANGE OF DISPLAYS

A4RD offers a wide range of displays whose 6 monitor's screen sizes and 2 brightness levels will meet your needs for your indoor and outdoor applications. (Contact us for more information).



A4RD LCD DISPLAYS	10"4	12"	15"	12"W	15"6 W	17"3 W
	XGA			WXGA	HD	HD
A4RD Series	A4RD10 XG	A4RD12 XG	A4RD15 XG	A4RD12 WX	A4RD15 HD	A4RD17 HD
Screen Ratio	4/3			16/10	16/9	16/9
Resolution	1024 x 768			1280 x 800	1920 x 1080	1920 x 1080
A4RD Standard Luminance cd/m ²	600	700	700	700	400	300
Viewing Angles	85°/85°-85°/85° IPS™	85°/85°-85°/85° IPS™	85°/85°-85°/85° IPS™	85°/85°-85°/85° IPS™	80°/80°- 65°/80°	80°/80°- 60°/80°
A4RD Outdoor Luminance cd/m ² (option)	700	900	1000	1000	On customer request	On customer request
Viewing Angles	80°/80°- 80°/80°	80°/80°- 80°/80°	80°/80°- 60°/80°	80°/80°- 60°/80°		
Sunlight readability (option)	IRTS bonding technology (applicable to standard & outdoor versions)					IRTS bonding technology (applicable to standard & outdoor versions)

PRODUCT RANGE

Depending on the application, our range offers products that will comply with your size, ruggedization and environmental conditions requirements.

Fixed Wings

Fixed & Rotary Wings

A4RD for Airborne		A4RD Range		
		SKU 1	SKU 2	
Display Size	A4RD Series	Rugged Model	Ultra Rugged Model	
10"	10"4 XGA (1024 x 768)	A4RD10 XG	5710 XG SK1	5710 XG SK2
12"	12" XGA (1024 x 768)	A4RD12 XG	5712 XG SK1	5712 XG SK2
	12" WXGA (1280 x 800)	A4RD12 WX	5712 WX SK1	5712 WX SK2
15"	15" XGA (1024 x 768)	A4RD15 XG	5715 XG SK1	5715 XG SK2
	15"6 HD (1920 x 1080)	A4RD15 HD	5715 HD SK1	On customer request
17"	17"3 HD (1920 x 1080)	A4RD17 HD	5717 HD SK1	
Power Supply Characteristics		18-36 VDC AIR 2021E & RTCA DO160		
DC Power Supply				
2 Ruggedization Levels		Environmental Conditions		
Temperature range		Level I	Level II	
	Operating	-15°C to +55°C	-20°C to +55°C	
	Storage	-32°C to +70°C		
	Humidity	T= +40°C, HR = 5 to 95%	T= +55°C, HR = 5 to 95%	
Operating pression		Level I	Level II	
	Altitude	50,000 ft		
	Decompression	8,000 ft to 50,000 ft in 15 seconds		
Mechanical		Level I	Level II	
	Random Vibrations	up to 2.2g RMS	up to 5.95g RMS	
	Sinus Vibrations	up to 1.5g	up to 3g	
	Shocks/Operating	6g 11msec DSPF	15g 11msec DSPF	
	Shocks/Crash	20g 11msec half sine	30g 11msec half sine	
EMC/EMI		Level I	Level II	
	RTCA DO-160E	Categories B (sect 16), R (sect 20), L (sect 21)	Categories A (sect 16), Y (sect 20), M (sect 21)	



IRTS

639 Boulevard des Armaris ■ 83100 Toulon ■ France

Tel.: +33 (0)4 94 20 78 00 ■ Fax : +33 (0)4 94 20 78 01

IRTS NATO CODE : FAAJ7

Contact : sales@irts.fr ■ www.irts.fr

RUGGED ELECTRONICS, COMPUTERS & DISPLAYS

ENVIRONMENTAL CONDITIONS

The table below shows our benchmark for environmental standards.

Qualification Standards			
		Fixed Wings	Rotary Wings
A4RD	SK1	SK2	SK2
Random vibrations	RTCA DO-160E Section 8 Cat.R Zone 2		RTCA DO-160E Section 8 Cat.U2
	Curve B4	Curve C1	STANAG 4370 Method 401 Figure D-2 (except sinus lines)
Sinus vibrations	RTCA DO-160E Section 8 Cat.R Zone 2		
	Curve M	Curve L	
Shocks	RTCA DO-160E Section 7 category B		
DC Power Input	RTCA DO-160E Section 16		
	Cat. B	Cat. A	Cat. A
Emission	RTCA DO-160E Section 21.3 & 21.4		
	Cat. L	Cat. M	Cat. M
Susceptibility	RTCA DO-160E Section 18, Cat. Z & Section 19 Cat. ZN		
	RTCA DO-160E Section 20		
	CS Cat. W & RS Cat. R	CS & RS Cat. Y	CS & RS Cat. Y
Operating temperature	RTCA DO-160D Section 4.5.2 & 4.5.4		
	Cat. A1	Cat. B1	Cat. B1
Humidity	RTCA DO-160E: Section 6 HR = 5 to 95%		
	Cat. A - T=40°C	Cat. C - T=55°C	Cat. C - T=55°C
Altitude	RTCA DO-160E Section 4.6.1 Cat. D1		
Decompression	RTCA DO-160E Section 4.6.2		
Waterproofness	IP 68 / NEMA 6P, immersion 1 meter		

FRONT BUTTONS OPTIONS AND PRODUCT MOUNTING

Front buttons can be proposed as option. Contact us.
 Standard rear mounting is assured by 4 x M8 screws.
 Front attachment is made on specific request with Minimum Quantity Order.
 It offers 4 x M5 screws for front mounting.



COLOR PRODUCT

Standard color is black [GAM C Black 36X3].
 Other colors can be proposed on request with Minimum Order Quantity.



IRTS

639 Boulevard des Armaris ■ 83100 Toulon ■ France

Tel.: +33 (0)4 94 20 78 00 ■ Fax : +33 (0)4 94 20 78 01

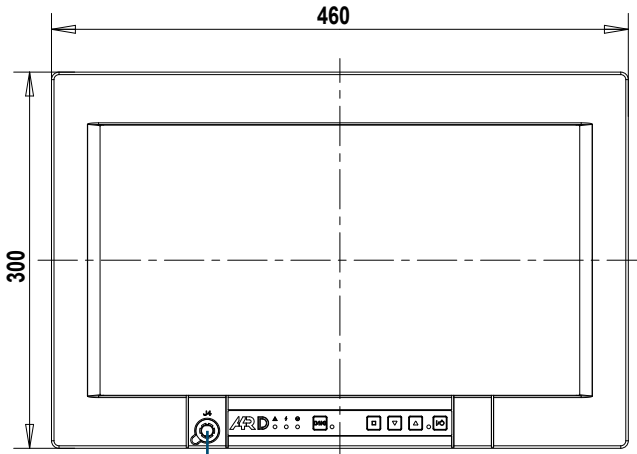
IRTS NATO CODE : FAAJ7

Contact : sales@irts.fr ■ www.irts.fr

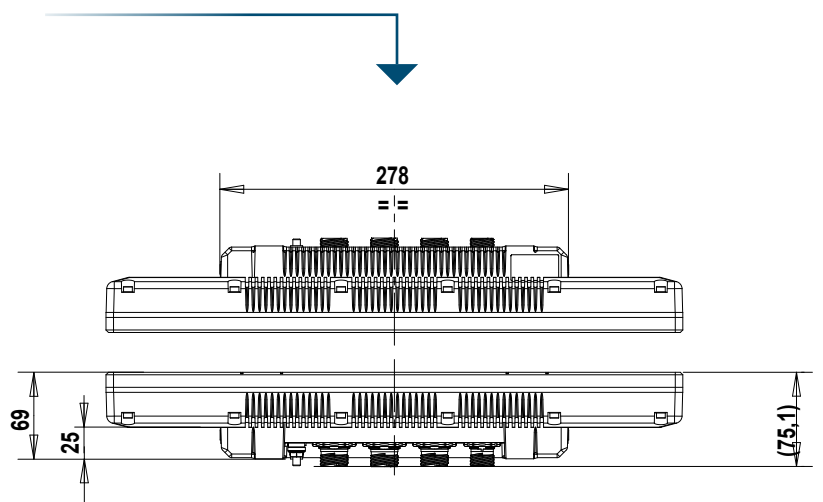
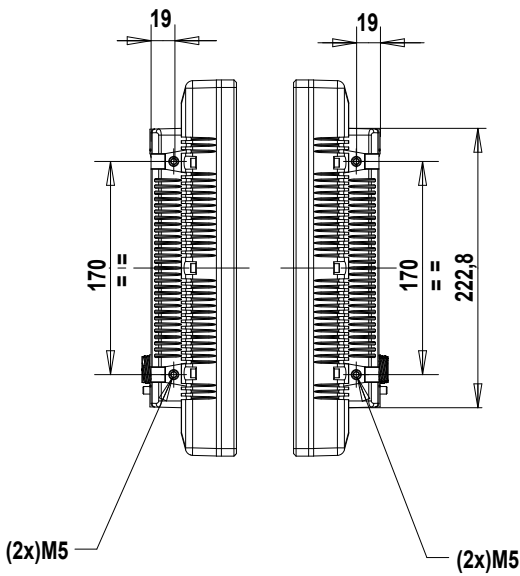
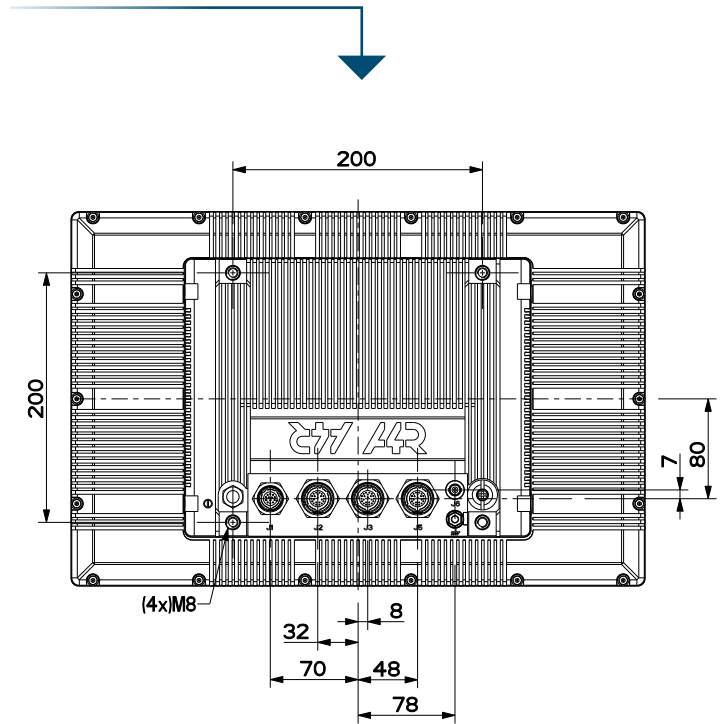
RUGGED ELECTRONICS, COMPUTERS & DISPLAYS

TECHNICAL LAYOUT

Dimensions are in millimeters (mm).



Standard front USB connector that can be removed as an option



IRTS
 639 Boulevard des Armaris ■ 83100 Toulon ■ France
 Tel.: +33 (0)4 94 20 78 00 ■ Fax : +33 (0)4 94 20 78 01
 IRTS NATO CODE : FAAJ7
 Contact : sales@irts.fr ■ www.irts.fr

RUGGED ELECTRONICS, COMPUTERS & DISPLAYS