



ARMY



RUGGED DISPLAY

A4RD SERIES

17"3 A4RD 5717 HD



Key Features

- > IP68/NEMA 6P waterproof
- > Full MIL specs qualified
- > Rugged touch screen (glass to glass technology)
- > Optional 12/16 programmable function buttons
- > NVIS capability
- > Flexible positioning of the connectors
- > Optional USB front connector from computer via back connector
- > ROHS compliant

IRTS 5717HD is a 17" display of the A4RD Family, a comprehensive range of 10" to 17" rugged and ultra rugged displays.

Its specific design, graphic display and video capabilities meet the evolving and operational needs of modern Armed Forces and cope with the toughest environments.

A4RD Technology allows selecting 6 screen sizes (10", 12", 12"W, 15", 15"W & 17"W), brightness level as well as military specs ruggedization according to random vibrations levels: level I up to 3 G RMS (SK1 serie) and level II up to 6 G RMS (SK2 serie).

Direct interface with client system, versatile configuration capabilities and easy mounting make it the choice of prime system integrators as a reliable, configurable, best cost and lead time MOTS (Military Off The Shelf) equipment in operational use today.

See also the other displays in the A4RD series specifically designed for your Navy or Airborne applications.



PRODUCT SPECIFICATIONS

Display Module	
Size	17.3"
Resolution	1920 x 1080 (Full HD)
Brightness	300 Cd/m ² (LED Technology)
Pixel pitch	0.1989 (H) x 0.1989 (V) mm
Viewing angles	85-85 (H) / 85-85 (V)
Response Time	24 ms (Tr+Tf) White to Black
Contrast Ratio	1000:1
Display Color	16.7 M
Dimming ratio	up to 10 Cd/m ²
Touch screen characteristics	Resistive 5-wire Glass to Glass technology
Controls	
Remote control	Backlight, blackout and On/Off control in front
Additional control capability	3 x free programmable function keys
Option	Additional front control buttons 8 x 2 programmable function buttons
Integrated Video Controller	
Graphic controller	IRTS Embedded Video Controller
Analog Video	1 x input VGA
Digital Video	1 x input DVI
Serial Ports (RS232/RS422)	1 x Serial touch controller / 1x Serial for remote control
USB 2.0	1 x Touch controller / 1 x Remote control
BITE	Unit Management Software
Electrical Features	
Power supply	Power 18/36 VDC with galvanic isolation
PLD	Power Line Disturbance optional module
Power consumption	50 W normal environment cond. 80 W max in cold environment
Physical Features	
Dimensions	460 x 300 x 88 mm
Weight	8.2 Kg
Mechanical fixing	200 x 200 - 4 x M8
Packaging / color	Aluminum / GAM C BLACK 36X3 (Other colors available)
Connectors Types & Position	
Connectors position	UP in standard, DOWN in option
Connectors type	MIL-DTL-38999 III (Black Zinc Nickel) sizes 11 & 13
Options	
Composite Video	1 x Coaxial composite PAL/NTSC (BNC)
Optical bonding	Bonding LCD Panel
Front USB Connector	1 x Fischer serie 102 for connection transfer from CPU (key board, pointing devices, etc.)
Connecteur Caps	Standard on front, optional on the others connectors
Warranty	
Two-year limited warranty (parts and labor), factory return under RMA procedure.	
Additional 2-year coverage and customized service plans available on request.	



IRTS

639 Boulevard des Armaris ■ 83100 Toulon ■ France

Tel.: +33 (0)4 94 20 78 00 ■ Fax : +33 (0)4 94 20 78 01

IRTS NATO CODE : FAAJ7

Contact : sales@irts.fr ■ www.irts.fr

RUGGED ELECTRONICS, COMPUTERS & DISPLAYS

RANGE OF DISPLAYS

A4RD offers a wide range of displays whose 6 monitor's screen sizes and 2 brightness levels will meet your needs for your indoor and outdoor applications. (Contact us for more information).



A4RD LCD DISPLAYS	10"4	12"	15"	12"W	15"6 W	17"3 W
	XGA			WXGA	HD	HD
A4RD Series	A4RD10 XG	A4RD12 XG	A4RD15 XG	A4RD12 WX	A4RD15 HD	A4RD17 HD
Screen Ratio	4/3			16/10	16/9	16/9
Resolution	1024 x 768			1280 x 800	1920 x 1080	1920 x 1080
A4RD Standard Luminance cd/m²	600	700	700	700	400	300
Viewing Angles	85°/85°-85°/85° IPS™	85°/85°-85°/85° IPS™	85°/85°-85°/85° IPS™	85°/85°-85°/85° IPS™	80°/80°- 65°/80°	80°/80°- 60°/80°
A4RD Outdoor Luminance cd/m² (option)	700	900	1000	1000	On customer request	On customer request
Viewing Angles	80°/80°- 80°/80°	80°/80°- 80°/80°	80°/80°- 60°/80°	80°/80°- 60°/80°		
Sunlight readability (option)	IRTS bonding technology (applicable to standard & outdoor versions)					IRTS bonding technology (applicable to standard & outdoor versions)

PRODUCT RANGE

Depending on the application, our range offers products that will comply with your size, ruggedization and environmental conditions requirements.

Wheeled Vehicles
Modern Tracked Tanks

BMP3 - T72
Artillery Systems

A4RD for Army		A4RD Range		
		SKU 1	SKU 2	
Display Size	A4RD Series	Rugged Model	Ultra Rugged Model	
10"	10"4 XGA (1024 x 768)	A4RD10 XG	5710 XG SK1	5710 XG SK2
12"	12" XGA (1024 x 768)	A4RD12 XG	5712 XG SK1	5712 XG SK2
	12" WXGA (1280 x 800)	A4RD12 WX	5712 WX SK1	5712 WX SK2
15"	15" XGA (1024 x 768)	A4RD15 XG	5715 XG SK1	5715 XG SK2
	15"6 HD (1920 x 1080)	A4RD15 HD	5715 HD SK1	On customer request
17"	17"3 HD (1920 x 1080)	A4RD17 HD	5717 HD SK1	
Power Supply Characteristics		18-36 VDC MIL-STD 1275D		
DC Power Supply				
2 Ruggedization Levels		Operating Environmental conditions		
Temperature range		Level I	Level II	
	Operating	-20°C to +55°C	-32°C to +60°C	
	Storage	-32°C to +70°C		
	Humidity	T= +40°C, HR = 5 to 95%	T= +60°C, HR = 5 to 95%	
Mechanical		Level I	Level II	
	Random Vibrations	up to 3g RMS	up to 5,93g RMS	
	Bumps (x 1000)	25g 6msec half sine	40g 6msec half sine	
	Shocks	40g 11msec half sine	44g 13msec half sine	
EMC/EMI		Level I	Level II	
MIL STD 461E		Ground applications - Army & Navy mobile		



IRTS

639 Boulevard des Armaris ■ 83100 Toulon ■ France

Tel.: +33 (0)4 94 20 78 00 ■ Fax : +33 (0)4 94 20 78 01

IRTS NATO CODE : FAAJ7

Contact : sales@irts.fr ■ www.irts.fr

RUGGED ELECTRONICS, COMPUTERS & DISPLAYS

ENVIRONMENTAL CONDITIONS

The table below shows our benchmark for environmental standards.

Qualification Standards		
A4RD	SK1 (Wheeled vehicle)	SK2 (Tracked vehicle & Artillery)
Random vibrations	STANAG 4370 AECTP400 : Method 401 (figure A2) DEF-STAN 0035 : TEST M1 (figure A19) MIL-STD 810G: Method 514.6C-3- Category 4	STANAG 4370 AECTP400 : Method 401 (figure B2) DEF-STAN 0035 : TEST M1 (figures A22 & A23) MIL-STD 810G: Method 514.6C-2 - Category 4
Bumps	DEF-STAN 0035 Test M12	
Shocks	STANAG 4370 AECTP400 Methode 403	
Emission	MIL-STD 461E: CE102 Basic Curve, RE102 Ground application (Army & Navy Mobile)	
Susceptibility	MIL-STD 461E: CS101, CS114, CS115, CS116, RS103	
Operating temperature	MIL-STD 810F, Method 501.4 et 502.4, Procedure II	
Humidity	MIL-STD-810F Method 507.4	
Waterproofness	IP 68, Immersion 1 meter	

FRONT BUTTONS OPTIONS AND PRODUCT MOUNTING

Front buttons can be proposed as option. Contact us.
Standard rear mounting is assured by 4 x M8 screws.
Front attachment is made on specific request with Minimum Quantity Order.
It offers 4 x M5 screws for front mounting.



COLOR PRODUCT

Standard color is black (GAM C Black 36X3).
Other colors can be proposed on request with Minimum Order Quantity.



IRTS

639 Boulevard des Armaris ■ 83100 Toulon ■ France

Tel.: +33 (0)4 94 20 78 00 ■ Fax : +33 (0)4 94 20 78 01

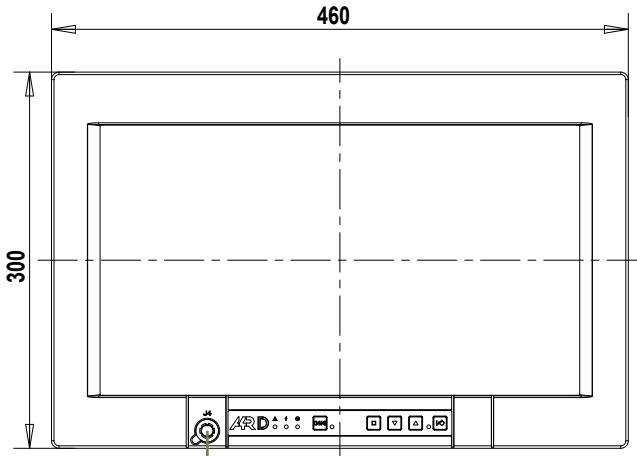
IRTS NATO CODE : FAAJ7

Contact : sales@irts.fr ■ www.irts.fr

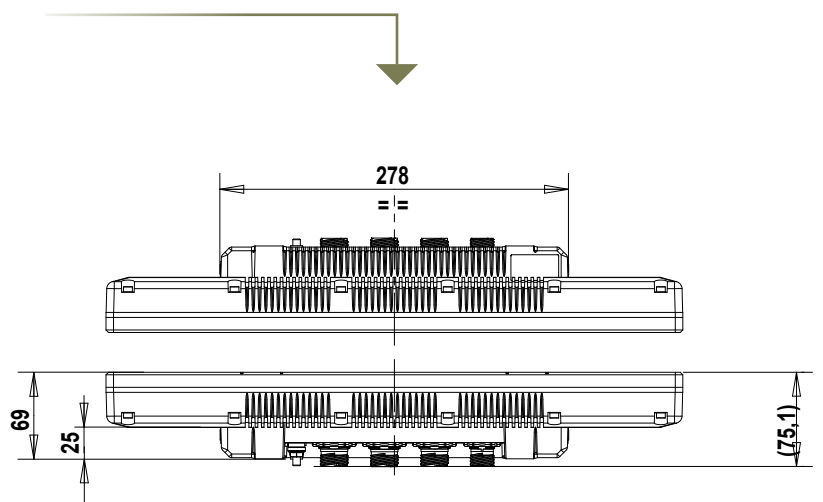
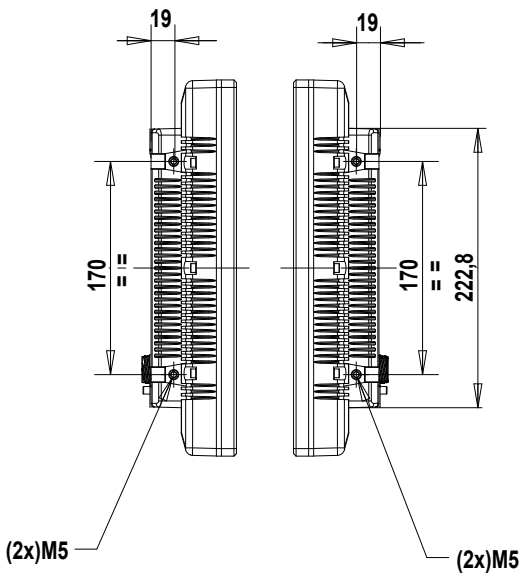
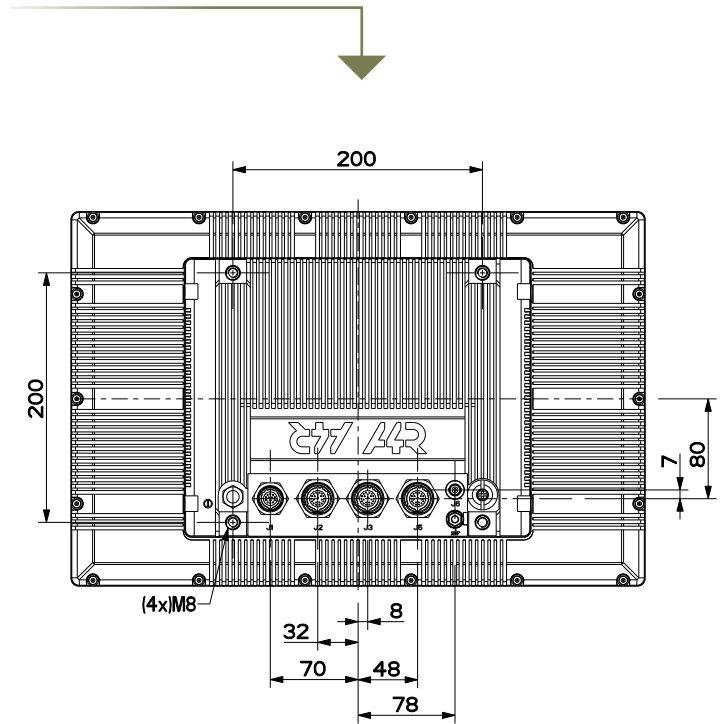
RUGGED ELECTRONICS, COMPUTERS & DISPLAYS

TECHNICAL LAYOUT

Dimensions are in millimeters (mm).



Standard front USB connector that can be removed as an option



IRTS
 639 Boulevard des Armaris ■ 83100 Toulon ■ France
 Tel.: +33 (0)4 94 20 78 00 ■ Fax : +33 (0)4 94 20 78 01
 IRTS NATO CODE : FAAJ7
 Contact : sales@irts.fr ■ www.irts.fr

RUGGED ELECTRONICS, COMPUTERS & DISPLAYS