



INDUSTRY



RUGGED DISPLAY

A4RD SERIES

12" A4RD 5712 WX



Key Features

- > IP68/NEMA 6P waterproof
- > CE/EN compliant & ATEX capability
- > Rugged touch screen (glass to glass technology)
- > Optional 12/16 programmable function buttons
- > Flexible positioning of the connectors
- > Optional USB front connector from computer via back connector
- > ROHS compliant

IRTS 5712WX is a 12" display from A4RD Family, a comprehensive range of 10" to 17" IP68 / NEMA 6P rugged displays.

Its specific design, graphic display and video capabilities meet the evolving and operational needs of industry cope with the toughest environments.

Direct interface with client system, versatile configuration capabilities and easy mounting make it the choice of prime system integrators as a reliable, configurable, upgradeable, best cost and lead time COTS (Commercial Off The Shelf) equipment in operational use today.

See also the other displays in the A4RD series specifically designed for your Airborne, Army or Navy applications.


PRODUCT SPECIFICATIONS

Display Module	
Size	12"
Resolution	1280 x 800 (WXGA)
Brightness	700 Cd/m ² (LED Technology)
Pixel pitch	0,204 (H) x 0,204 (V) mm
Viewing angles	85-85 (H) / 85-85 (V)
Response Time	24 ms (Tr+Tf) White to Black
Contrast Ratio	1000:1
Display Color	16.7 M
Dimming ratio	up to 10 Cd/m ²
Touch screen characteristics	Resistive 5 wires
NVIS capability	MIL-STD-3009, Class B
Controls	
Remote control	Backlight, blackout and On/Off control in front
Additional control capability	3 x free programmable function keys
Option	Additional front control buttons
	6 x 2 programmable function buttons
Integrated Video Controller	
Graphic controller	IRTS Embedded Video Controller
Analog Video	1 x input VGA
Digital Video	1 x input DVI
Serial Ports (RS232/RS422)	1 x Serial touch controller / 1x Serial for remote control
USB 2.0	1 x Touch controller / 1 x Remote control
BITE	Unit Management Software
Electrical Features	
Power supply	Power 18/36 VDC with galvanic isolation
PLD	Power Line Disturbance optional module
Power consumption	50 W normal environment cond. 80 W max in cold environment
Physical Features	
Dimensions	333 x 240 x 83 mm
Weight	7.3 Kg
Mechanical fixing	200 x 200 - 4 x M8
Packaging / color	Aluminum / GAM C BLACK 36X3 (Other colors available)
Connectors Types & Position	
Connectors position	UP in standard, DOWN in option
Connectors type	FISCHER DBPLU - sizes 103 & 105
Options	
Composite Video	1 x Coaxial composite PAL/NTSC (BNC)
Optical bonding	Bonding LCD Panel
Front USB Connector	1 x Fischer serie 102 for connection transfer from CPU (key board, pointing devices, etc.)
Connecteur Caps	Standard on front, optional on the others connectors
Warranty	
Two-year limited warranty (parts and labor), factory return under RMA procedure.	
Additional 2-year coverage and customized service plans available on request.	



IRTS

639 Boulevard des Armaris ■ 83100 Toulon ■ France

Tel.: +33 (0)4 94 20 78 00 ■ Fax : +33 (0)4 94 20 78 01

IRTS NATO CODE : FAAJ7

Contact : sales@irts.fr ■ www.irts.fr

RUGGED ELECTRONICS, COMPUTERS & DISPLAYS

RANGE OF DISPLAYS

A4RD offers a wide range of displays whose 6 monitor's screen sizes and 2 brightness levels will meet your needs for your indoor and outdoor applications. (Contact us for more information).



A4RD LCD DISPLAYS	10"4	12"	15"	12"W	15"6 W	17"3 W
	XGA			WXGA	HD	
A4RD Series	A4RD10 XG	A4RD12 XG	A4RD15 XG	A4RD12 WX	A4RD15 HD	A4RD17 HD
Screen Ratio	4/3			16/10	16/9	
Resolution	1024 x 768			1280 x 800	1920 x 1080	
A4RD Standard Luminance cd/m ²	600	700	700	700	400	300
Viewing Angles	85°/85°-85°/85° IPS™	85°/85°-85°/85° IPS™	85°/85°-85°/85° IPS™	85°/85°-85°/85° IPS™	80°/80°- 65°/80°	80°/80°- 60°/80°
A4RD Outdoor Luminance cd/m ² (option)	700	900	1000	1000	On customer request	
Viewing Angles	80°/80°- 80°/80°	80°/80°- 80°/80°	80°/80°- 60°/80°	80°/80°- 60°/80°	On customer request	
Sunlight readability (option)	IRTS bonding technology (applicable to standard & outdoor versions)			IRTS bonding technology (applicable to standard & outdoor versions)	IRTS bonding technology (applicable to standard & outdoor versions)	

PRODUCT RANGE

Depending on the application, our range offers products that will comply with your size, ruggedization and environmental conditions requirements.

Oil & Gas, Mining
Maritime, ATEX

A4RD for Industry		A4RD Range	
		SKU L	
Display Size	A4RD Series	Rugged Model	
10"	10"4 XGA (1024 x 768)	A4RD10 XG	
12"	12" XGA (1024 x 768)	A4RD12 XG	
	12" WXGA (1280 x 800)	A4RD12 WX	
15"	15" XGA (1024 x 768)	A4RD15 XG	
	15"6 HD (1920 x 1080)	A4RD15 HD	
17"	17"3 HD (1920 x 1080)	A4RD17 HD	
Power Supply Characteristics		18/36 VDC	
DC Power Supply		85/265 VAC 50-400Hz	
AC Power Supply		Operating Environmental Conditions	
1 Ruggedization Level		Level L	
Operating Temperature Range		Standard range	
		- 20° to + 55°C	
		Option	
		- 32° to + 60°C	
Mechanical EN60069		Level L	
Vibrations		10-500 Hz: 2G/3 axes to EN 60068-2-6	
Shocks		30 g 11 msec Half Sine, 3 axes to EN 60068-2-27	
EMC/EMI CE Standards		Level L	
EN 61000 - Generic standards		EN 61000-6-2, Immunity for industrial environments	
EN 55022 - Radio disturbance		EN 55022 Class B, Emission & susceptibility	



IRTS

639 Boulevard des Armaris ■ 83100 Toulon ■ France

Tel.: +33 (0)4 94 20 78 00 ■ Fax : +33 (0)4 94 20 78 01

IRTS NATO CODE : FAAJ7

Contact : sales@irts.fr ■ www.irts.fr

RUGGED ELECTRONICS, COMPUTERS & DISPLAYS

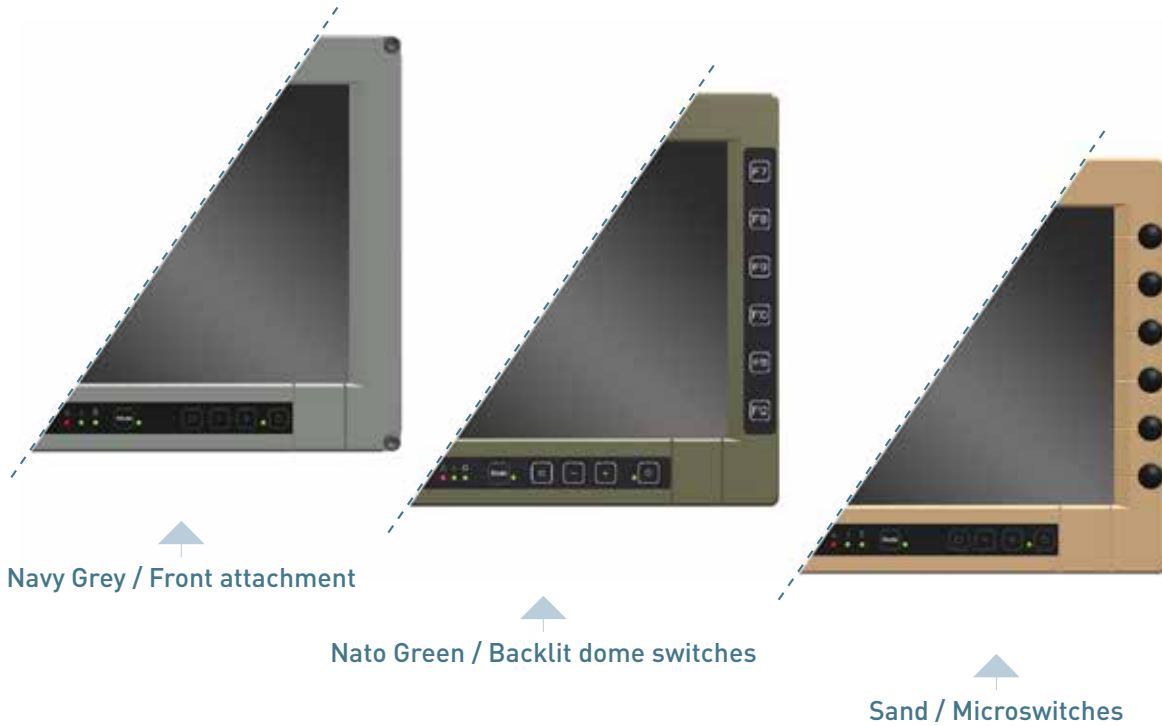
ENVIRONMENTAL CONDITIONS

The table below shows our benchmark for environmental standards.

Environmental conditions	
Vibrations	EN 60068-2-6
Shocks	EN 60068-2-27
EMC	EN 61000-6-2, EN 55022 Class B
Humidity	10 % to 90 % Relative Humidity, non-condensing
Operating temperature	EN 60068-2-32
Waterproofness	IP 68 / NEMA 6P, immersion 1 meter

FRONT BUTTONS OPTIONS AND PRODUCT MOUNTING

Front buttons can be proposed as option. Contact us.
 Standard rear mounting is assured by 4 x M8 screws.
 Front attachment is made on specific request with Minimum Quantity Order.
 It offers 4 x M5 screws for front mounting.



COLOR PRODUCT

Standard color is black (GAM C Black 36X3).
 Other colors can be proposed on request with Minimum Order Quantity.



IRTS

639 Boulevard des Armaris ■ 83100 Toulon ■ France

Tel.: +33 (0)4 94 20 78 00 ■ Fax : +33 (0)4 94 20 78 01

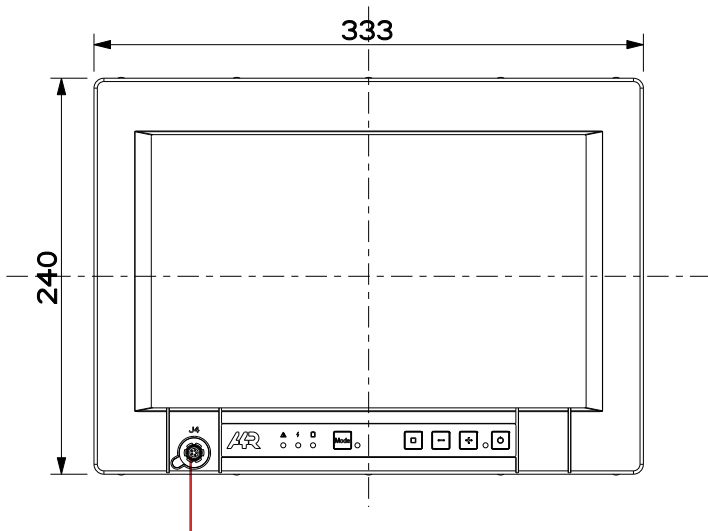
IRTS NATO CODE : FAAJ7

Contact : sales@irts.fr ■ www.irts.fr

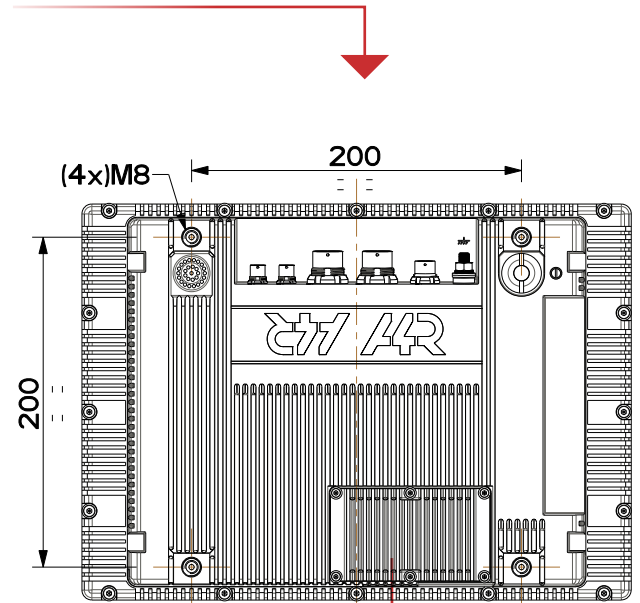
RUGGED ELECTRONICS, COMPUTERS & DISPLAYS

TECHNICAL LAYOUT

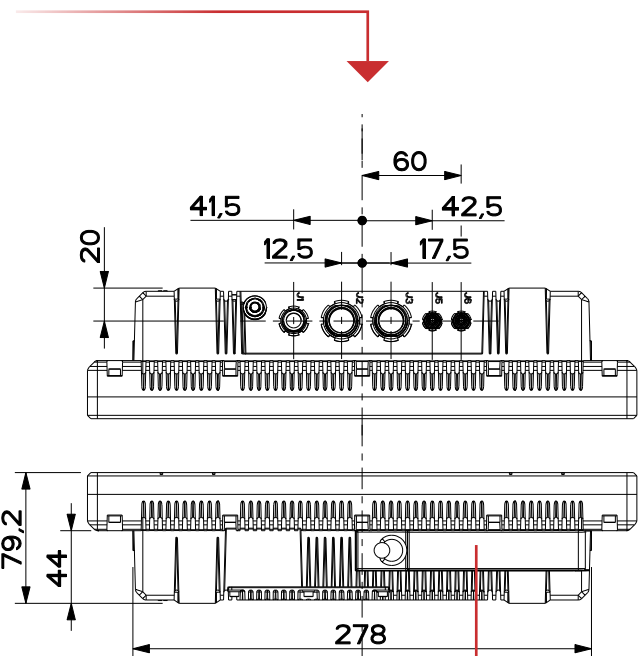
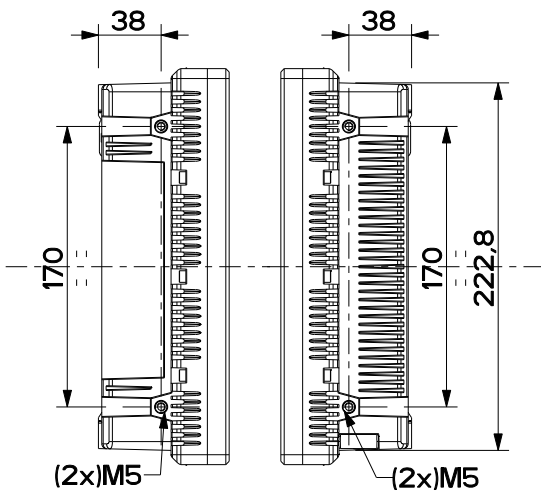
Dimensions are in millimeters (mm).



Standard front USB connector that can be removed as an option



Optional battery hatch



Optional removable hard drive hatch



IRTS
 639 Boulevard des Armaris ■ 83100 Toulon ■ France
 Tel.: +33 (0)4 94 20 78 00 ■ Fax : +33 (0)4 94 20 78 01
 IRTS NATO CODE : FAAJ7
 Contact : sales@irts.fr ■ www.irts.fr

RUGGED ELECTRONICS, COMPUTERS & DISPLAYS