

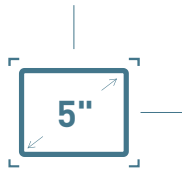


ARMY



RUGGED PANEL PC

DRIVER DISPLAY



Key Features

- USB side connector for easy accessibility
- Direct touch screen (glass to glass) & Bonding technology
- Low power CPU
- Windows/ Linux OS
- RoHs compliant

DRIVER DISPLAY is a **rugged 5"** All-in-One PC. Its specific design, advanced processing and graphic display meet the evolving and operational needs of modern Armed Forces and cope with the toughest environments on board wheeled or tracked armored vehicles. It is part of a comprehensive range of control display units featuring MIL-Spec compliant panel PCs, displays and Vetronics solutions.

DRIVER DISPLAY - featuring A4R technology - meets the most drastic requirements set by the military sector. It is EMC reinforced, full MIL spec class, with an original resistive touch panel, that insures a perfect readability in the most demanding application.

See also the other series of panel PCs in the A3R and A4R ranges specifically designed for Army.

www.irts.fr

RUGGED ELECTRONICS, COMPUTERS & DISPLAYS

PRODUCT SPECIFICATIONS

Display Module	
	Size 5"
	Resolution 640 x 480 (VGA)
	Brightness 450 Cd/m ²
	Dot pitch 0.0525 (H) x 0.1575 (V) mm
	Viewing angles 70-70 (H) / 70-70 (V)
	Response Time 20 ms
	Contrast Ratio 500 : 1
	Display Color 262 k
	Backlight LED Technology
	Dimming ratio up to 10 cd/m ²
Option	Touch screen characteristics Resistive 5-wire Glass to Glass technology
Controls	
	Remote control Backlight, blackout and On/Off control in front
	Touch screen Resistive 5-wire Glass to Glass technology
Option	Additional edge control buttons 4 programmable function buttons
Integrated Computer	
	Processor ATOM E3825 2x1,33 GHz
	RAM 2 GB DDR3L
	Memory 8 GB SSD On board
	Serial Ports (RS422 or RS232) 1x connection transfer from CPU to rear panel on J1
	USB 2.0 1x connection transfer from CPU to rear panel on J1
	USB 2.0 1 x connection transfer from CPU to edge panel on J3
	100B-TX 1x connection transfer from CPU to rear panel on J1
Option	1000B-TX 1x connection transfer from CPU to rear panel on J1 w/out J1-USB
Option	Extended memory Internal Micro SD Card
Electrical Features	
	Power supply Power 18/36 VDC with galvanic isolation on J2
	Power consumption 15 W
Physical Features	
	Dimensions (mm) 108 x 138 x 65 mm (With connectors)
	Weight 0.9 Kg
	Mechanical fixing 96 x 126 - 4 x M5
	Packaging / color Aluminum / GAM C BLACK 36X3 (Other colors available)
Connectors	
	Position DOWN REAR
	Type MIL-DTL-38999 III (Black Zinc Nickel) J1 (size 11), J2 (size 9), J3 (Fischer size 102)
Warranty	
	Two-year limited warranty (parts and labor)
	Additional coverage and customized service plans available on request

ENVIRONMENTAL CONDITIONS

The table below shows our benchmark for environmental standards.

Random Vibrations	MIL-STD-810G Method 514.6, up to 5,93g RMS (Tracked vehicle)
Bumps	DEF-STAN 0035 TEST M12, 40gx6ms - 1000 shocks/axe
Shocks	STANAG 4370 AECTP400: Method 403, 44gx13ms half sine
Emission	MIL-STD-461E Army ground equipment CE102, RE102
Susceptibility	MIL-STD-461E Army Equipment CS101, CS114, CS115, CS116, RS103
Humidity	MIL-STD-810F Method 507.4 T = +60°C, HR = 5 to 95%
Operating temperature	MIL-STD-810F Method 501.4 & 502.4 Procedure II, -32°C / +60°C
Waterproofness	IP 68, immersion 1 meter



IRTS

639 Boulevard des Armaris ■ 83100 Toulon ■ France

Tel.: +33 (0)4 94 20 78 00 ■ Fax : +33 (0)4 94 20 78 01

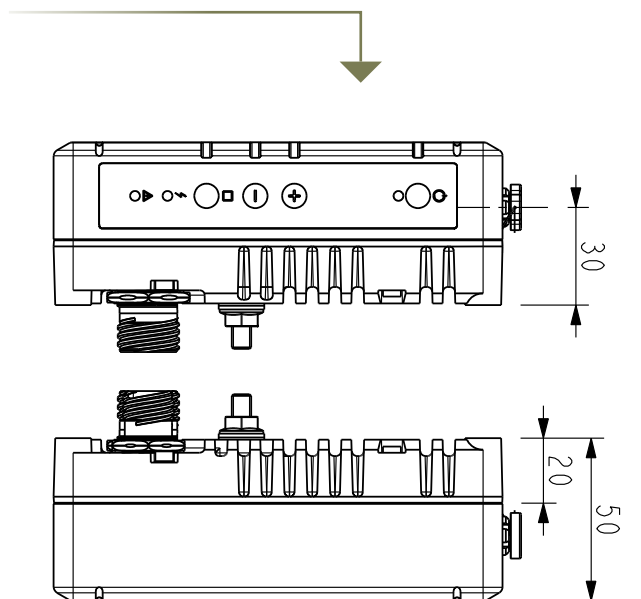
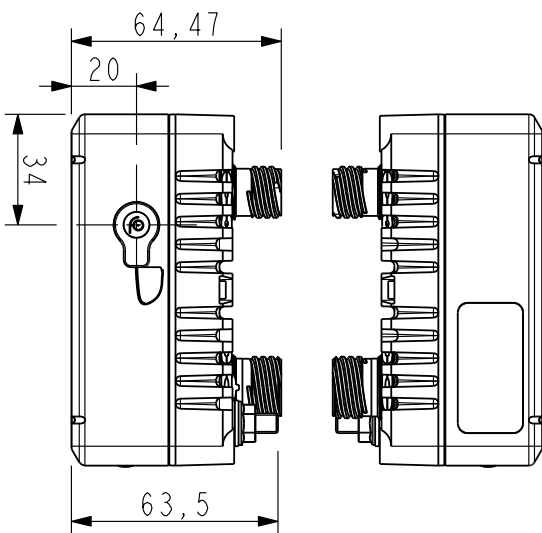
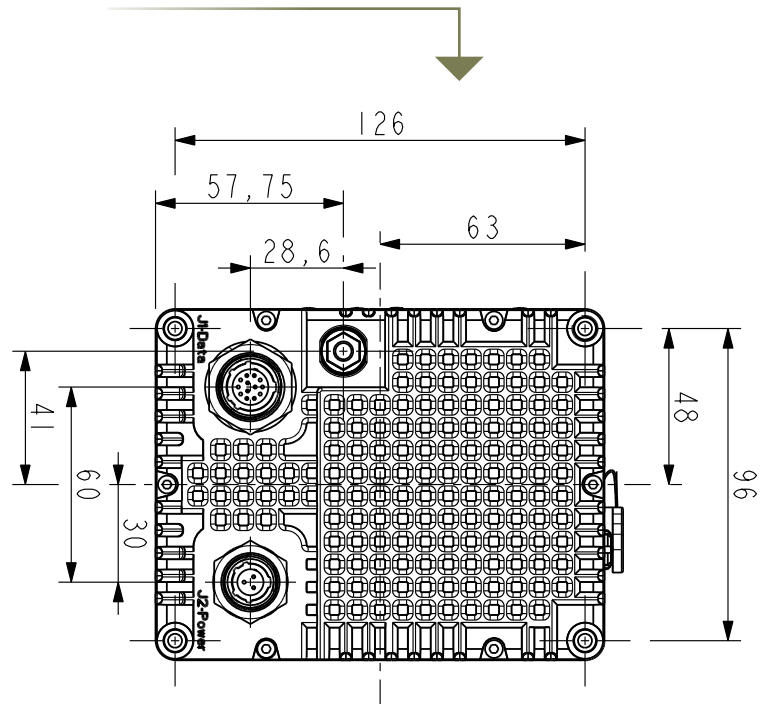
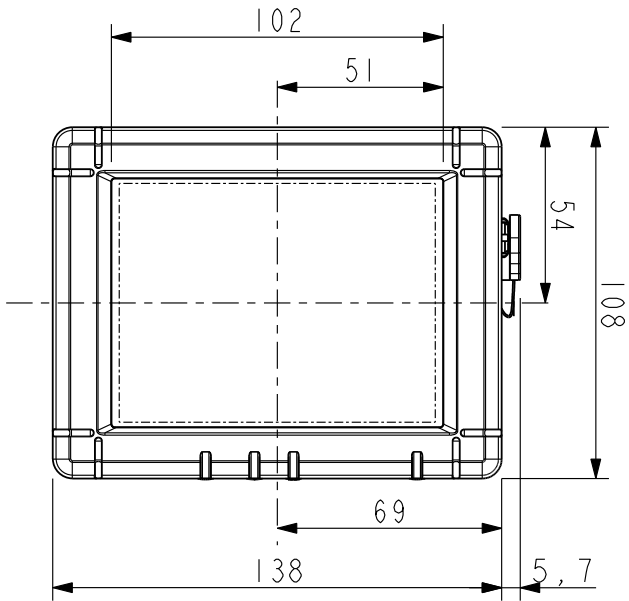
IRTS NATO CODE : FAAJ7

Contact : sales@irts.fr ■ www.irts.fr

RUGGED ELECTRONICS, COMPUTERS & DISPLAYS

TECHNICAL LAYOUT

Dimensions are in millimeters (mm).



IRTS
 639 Boulevard des Armaris ■ 83100 Toulon ■ France
 Tel.: +33 (0)4 94 20 78 00 ■ Fax : +33 (0)4 94 20 78 01
 IRTS NATO CODE : FAAJ7
 Contact : sales@irts.fr ■ www.irts.fr

RUGGED ELECTRONICS, COMPUTERS & DISPLAYS